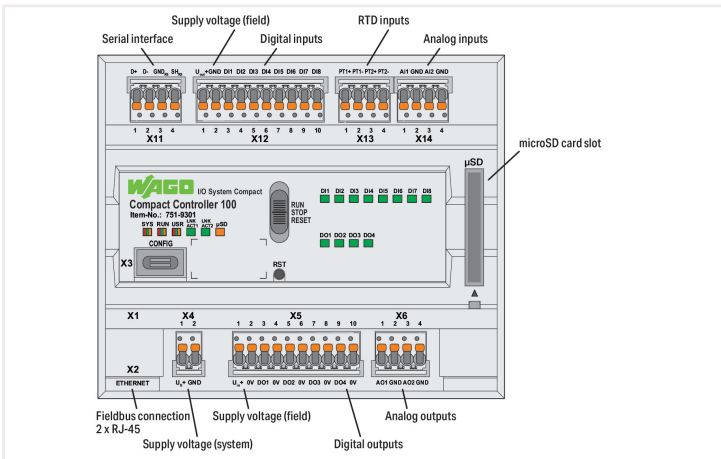
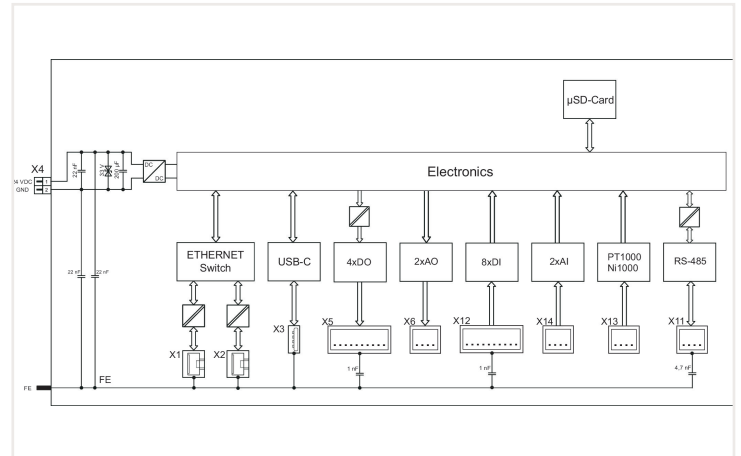


<https://www.wago.com/751-9301>



### Technical data

Communication	Modbus (TCP, UDP) EtherCAT master EtherNet/IP™ Adapter (slave) EtherNet/IP™ Scanner Modbus® RTU RS-485 interface MQTT
ETHERNET protocols	DHCP DNS NTP FTP FTPS SNMP HTTP HTTPS SSH
Visualization	Web-Visu
Operating system	Real-time Linux (with RT-Preempt patch)
CPU	Cortex A7; 650 MHz
Programming languages per IEC 61131-3	Instruction List (IL) Ladder Diagram (LD) Function Block Diagram (FBD) Continuous Function Chart (CFC) Structured Text (ST) Sequential Function Chart (SFC)
Programming environment	CODESYS V3.5 Node-RED

## Technical data

Configuration options	CODESYS V3.5 ETHERNET Settings Web-Based Management WAGOupload WAGO Solution Builder
Baud rate (communication/fieldbus 1)	10/100 Mbit/s
Baud rate	ETHERNET: 10/100 Mbit/s
Transmission medium (communication/fieldbus)	ETHERNET: Twisted pair S-UTP; 100 Ω; Cat. 5; 100 m maximum cable length
Main memory (RAM)	512 MB
Internal memory (flash)	4096 MB
Non-volatile hardware memory	128 KB
Program memory	32 MB
Data memory	128 MB
Non-volatile software memory	128 KB
Type of memory card	microSD up to 32 GB (all guaranteed properties only valid with WAGO's memory card)
Memory card slot	Push-push mechanism
Indicators	LED (SYS, RUN), red/green: Status of system; LED (USR) red/green: User programmable status (can be used via CODESYS library); LED (SD) orange: Status of μSD; LED (LNK/ACT) green: Network connection via ports 1 ... 2; LED (DI1 ... 8) green: Status of inputs; LED (DO1 ... 4) green: Status of outputs
Controls	Operating mode switch (RUN, STOP, RESET); reset button
Supply voltage (system)	24 VDC (-15 ... +20 %); via pluggable connector ( <i>picoMAX</i> ® 3.5; Push-in CAGE CLAMP® connection)
Current consumption (system) max.	500 mA
Supply voltage (field)	24 VDC (-15 ... +20 %); via pluggable connector ( <i>picoMAX</i> ® 3.5; Push-in CAGE CLAMP® connection)
Current consumption (field) max.	2000 mA
Isolation	1250 V (DC 1 min., between system and field level)
Number of digital inputs	8
Input characteristic	Type 3 (per EN 61131-2)
Number of digital outputs	4
Output current (per channel)	500 mA (DC)
Output current	short-circuit-protected
Signal type	Voltage Resistance measurement
Signal type (voltage)	0 ... 10 VDC
Number of analog inputs	2
Resolution of analog inputs	16 bits
Number of analog outputs	2
Resolution of analog outputs	12 bits
Load impedance (voltage output)	≥ 5 kΩ
Number of measurement inputs	2
Temperature range	-60 °C ... 350 °C, PT1000, Ni1000

## Connection data

Connection technology: communication/fieldbus	Modbus TCP/UDP: 2 x RJ-45; RS-485 interface: 1 x Female connector, 4-pole; Push-in CAGE CLAMP®
Connection technology: system supply	1 x Female connector, 2-pole; Push-in CAGE CLAMP®
Connection technology: field supply	2 x Female connector, 10-pole; Push-in CAGE CLAMP®
Solid conductor	0.2 ... 1.5 mm² / 24 ... 14 AWG
Fine-stranded conductor	0.2 ... 1.5 mm² / 24 ... 14 AWG
Strip length	8 ... 9 mm / 0.31 ... 0.35 inches

### Physical data

Width	108 mm / 4.252 inches
Height	90 mm / 3.543 inches
Depth from upper-edge of DIN-rail	55 mm / 2.165 inches

### Mechanical data

Weight	348 g
Housing material	Polycarbonate, polyamid
Conformity marking	CE; UKCA

### Environmental requirements

Ambient temperature (operation)	-25 ... +60 °C
Surrounding air temperature (storage)	-40 ... +85 °C
Protection type	IP20
Pollution degree (5)	2 per IEC 61131-2
Protection class	II
Operating altitude	0 ... 2000 m / 0 ... 6562 ft
Relative humidity (without condensation)	95 %
Mounting position	any
Mounting type	DIN-35 rail
Vibration resistance	1g per IEC 60068-2-6
Shock resistance	15g per IEC 60068-2-27
EMC immunity to interference	per EN 61000-6-2
EMC emission of interference	per EN 61000-6-3
Fire load	0 MJ

### Commercial data

ETIM 8.0	EC000236
ETIM 7.0	EC000236
PU (SPU)	1 Pieces
Country of origin VKOrg Germany	DE
GTIN	4066966192865
Customs tariff number VKOrg Germany	85371091990

### Approvals and certificates

#### UL-Approvals



Approval	Standard	Certificate name
UL Underwriters Laboratories Inc. (ORDINARY LOCATIONS)	UL 61010-2-201	E175199

## Downloads

### Environmental Product Compliance

#### Compliance Search

Environmental Product Compliance 751-9301



## Documentation

### Manual

Compact Controller 100	V 1.2.0 11.03.2022	pdf 2090.95 KB	
------------------------	-----------------------	-------------------	--

### Bid Text

751-9301	xml 8.82 KB	
751-9301	docx 29.96 KB	

## Engineering-Software

### Configuration and Commissioning Software

WAGOupload	1.15.0.0 02.02.2022	zip 11092.25 KB	
------------	------------------------	--------------------	--

## Runtime Software

### Firmware

0751-9301, Compact Controller 100	V 21 SP2 07.06.2022	zip 63196.02 KB	
751-9301; Compact Controller 100	V 21 SP2 18.03.2022	zip 62286.40 KB	

## 1 Compatible products

### 1.1 Optional accessories

#### 1.1.1 Female connector

##### 1.1.1.1 Female connector/socket



**Item no.: 2091-1130**

1-conductor female connector; push-button; Push-in CAGE CLAMP®; 1.5 mm²; Pin spacing 3.5 mm; 10-pole; 1,50 mm²; light gray

**Item no.: 2091-1110/002-000**

1-conductor female connector; push-button; Push-in CAGE CLAMP®; 1.5 mm²; Pin spacing 3.5 mm; 10-pole; Gripping plate sliding connector release; 1,50 mm²; light gray

**Item no.: 2091-1110**

1-conductor female connector; push-button; Push-in CAGE CLAMP®; 1.5 mm²; Pin spacing 3.5 mm; 10-pole; Gripping plate; 1,50 mm²; light gray

**Item no.: 2091-1122**

1-conductor female connector; push-button; Push-in CAGE CLAMP®; 1.5 mm²; Pin spacing 3.5 mm; 2-pole; 1,50 mm²; light gray



**Item no.: 2091-1102/002-000**

1-conductor female connector; push-button; Push-in CAGE CLAMP®; 1.5 mm²; Pin spacing 3.5 mm; 2-pole; Gripping plate sliding connector release; 1,50 mm²; light gray

**Item no.: 2091-1102**

1-conductor female connector; push-button; Push-in CAGE CLAMP®; 1.5 mm²; Pin spacing 3.5 mm; 2-pole; Gripping plate; 1,50 mm²; light gray

**Item no.: 2091-1124**

1-conductor female connector; push-button; Push-in CAGE CLAMP®; 1.5 mm²; Pin spacing 3.5 mm; 4-pole; 1,50 mm²; light gray

**Item no.: 2091-1104/002-000**

1-conductor female connector; push-button; Push-in CAGE CLAMP®; 1.5 mm²; Pin spacing 3.5 mm; 4-pole; Gripping plate sliding connector release; 1,50 mm²; light gray

### 1.1.1.1 Female connector/socket



**Item no.:** [2091-1104](#)

1-conductor female connector; push-button; Push-in CAGE CLAMP®; 1.5 mm<sup>2</sup>; Pin spacing 3.5 mm; 4-pole; Gripping plate; 1,50 mm<sup>2</sup>; light gray

### 1.1.2 Memory card

#### 1.1.2.1 Memory card



**Item no.:** [758-879/000-3102](#)

Memory Card SD Micro; 2 GByte



**Item no.:** [758-879/000-3108](#)

Memory Card SD Micro; pSLC-NAND; 8 GB; Temperature range: -40 to 90°C

### 1.1.3 Tool

#### 1.1.3.1 Operating tool



**Item no.:** [2092-1630](#)

Unlocking tool; orange